

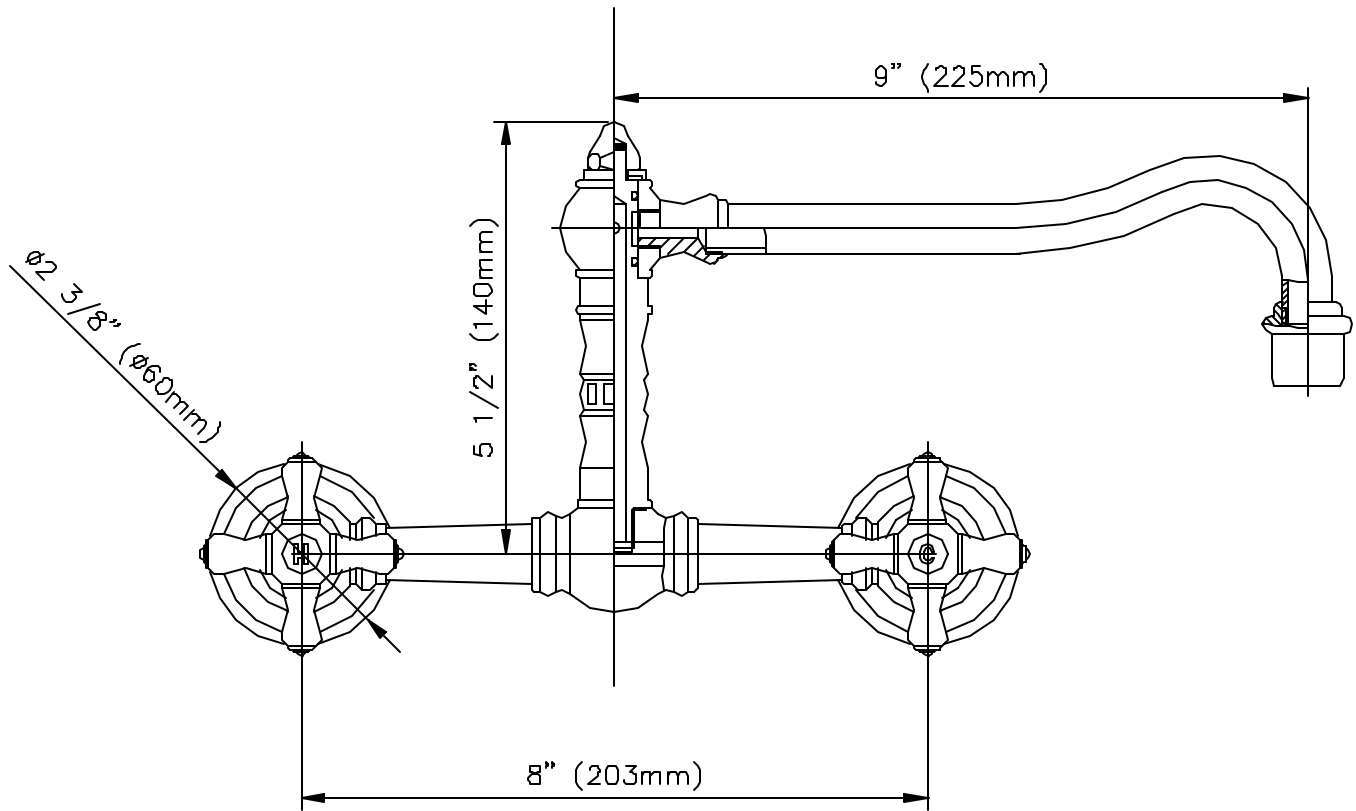
TECHNICAL SPECIFICATIONS

Asbury Series: Wall Mount Kitchen with 9" Spout

27x260

Asbury#

277 260 xxx



TECHNICAL SPECIFICATIONS

Asbury Series: Wall Mount Kitchen with 9" Spout

27x260

Installation instructions:

Rough in:

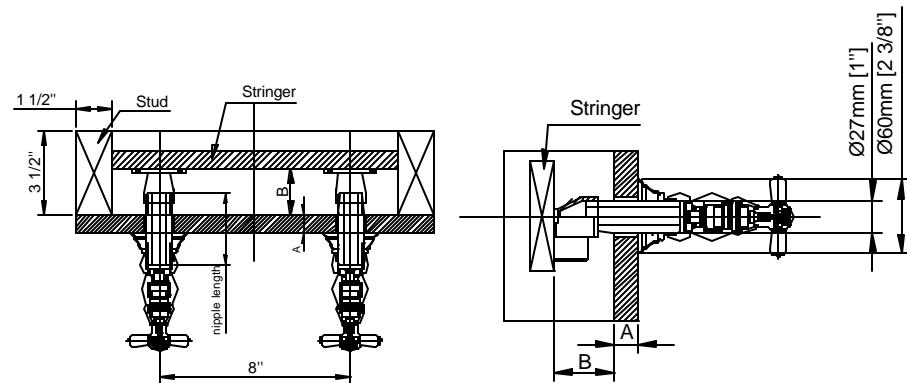
- Step 1: Estimate the finish wall thickness and refer to the rough-in depth chart using the provided 3" nipple
- Step 2: Using the two 3/4" drop ear elbows provided, rough the elbows in at the correct depth from chart (depth B). Make certain that elbows are placed exactly on 8" centers.
- Step 3: Thread the nipple into the elbow* using appropriate thread sealant. If trim is to be installed at a later time, place the plastic cap over the end of the nipple to protect threads.

Trim:

- Step 4: Thread escutcheons onto nipple and secure flush to finish wall
- Step 5: Install faucet by threading finished union nut onto nipple. Draw faucet firmly to wall making sure the nipple compresses gasket seal within the union nut.
- Step 6: Remove aerator and flush line of any debris.
- Step 7: Re-install aerator for operation

Note:

- Qty. 2-3" brass nipples included in box.
- Qty. 2-3/4" FIPx3/4" SWT 90° drop ear elbows included in box



A - Finished Wall Thickness		B - Rough-in depth		
From	To	Provided Nipple	Alternate nipples available upon request	
		3" nipple [#3445010]	2 1/2" nipple [#34400117]	3 1/2" nipple [#34400118]
1/8"	3/8"	2 1/2"	2"	3"
3/8"	5/8"	2 1/4"	1 3/4"	2 3/4"
5/8"	7/8"	2"	x	2 1/2"
7/8"	1 1/8"	1 3/4"	x	2 1/4"

*Be sure to insert tapered end of nipple into drop elbow as the opposite end has straight threads needed to affix trim.