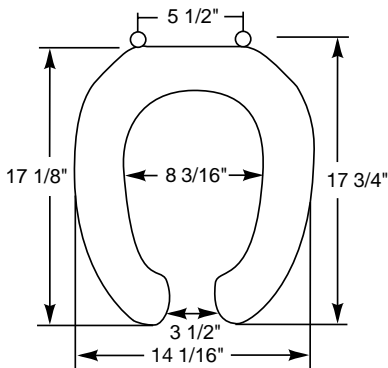




M E D I C - A I D <sup>®</sup> S E A T S

### 3L2150

Seats shall be No. 3L2150 as manufactured by Bemis Manufacturing Co. to allow an additional 3" of height above the rim of the bowl. Seats shall contain DuraGuard<sup>®</sup>, an antimicrobial agent. Seats shall be heavy weight and injection molded of solid plastic. Seats shall be open front with cover for elongated bowl and feature large molded-in bumpers. Hinges and pintles feature 300 Series stainless steel. Color to be white.



Ring thickness is 3/4"  
Ring thickness including the bumper is 3"  
Height of the seat with cover is 4-3/16"