

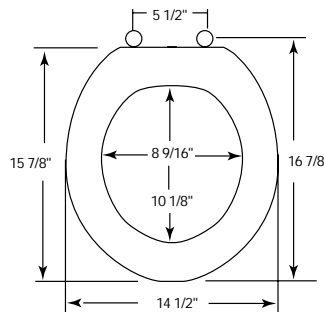
# RESIDENTIAL PLASTIC SEATS



Seats shall be No. 3TT as manufactured by Church Seats. Seats shall be residential weight and injection molded of solid plastic. Seats shall be closed front with cover for regular bowl and feature large molded-in bumpers. Color matched Top-Loc® hinges contain stainless steel pintles, non-corrosive top tightening bolts, wing nuts, and no-slip washers. The "locked-in" Top-Loc® hinge design will prevent wobbling. The molded-in bumpers provide easy cleaning. Color to be \_\_\_\_\_. (Specify white or fixture manufacturer's color.)

## MODEL 3TT

- REGULAR SEAT  
CLOSED FRONT WITH COVER
- SOLID PLASTIC
- TOP-LOC® HINGE



Ring thickness is 1/2"  
Ring thickness including the bumper is 13/16"  
Height of the seat with cover is 1-7/8"

