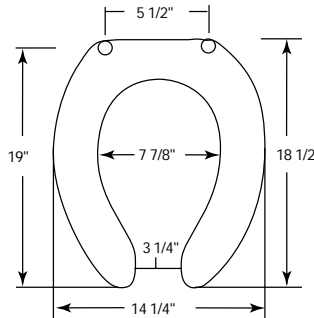
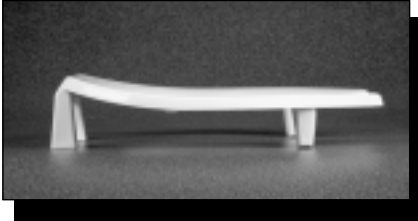




Seats shall be No. 3L2155 as manufactured by Church Seats to allow an additional 3" of height above the rim of the bowl. Seats shall contain DuraGuard®, an antimicrobial agent. Seats shall be heavy weight and injection molded of solid plastic. Seats shall be open front less cover for elongated bowl and feature large molded-in bumpers. External check hinge to feature 300 Series stainless steel posts that stop seat 11 degrees beyond vertical. Uses 300 Series stainless steel hardware. Color to be white.

MODEL 3L2155

- 3" LIFT SEAT
- ELONGATED SEAT
OPEN FRONT LESS COVER
- SOLID PLASTIC
- DURAGUARD®
ANTIMICROBIAL AGENT



Ring thickness is 13/16"
 Ring thickness including the bumper is 3"
 Height of the seat is 4-1/4"

