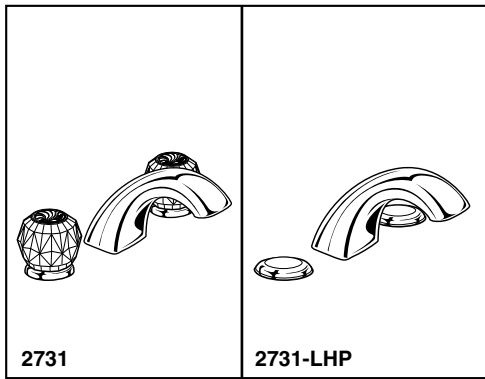




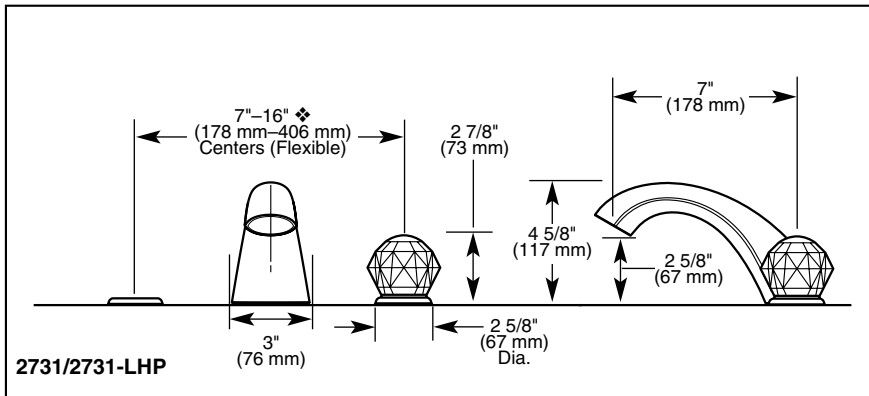
BATH VALVES

- Two Handle Roman Tub Mid-Size Faucet
- Trim Only—Innovations® Series
- Rough-In Kit Must Also be Ordered to Complete Installation
- Three Hole Installation
- 7" (178 mm) Long, 4 5/8" (117 mm) High Rigid Slip-On Spout
- Temperature and Volume Controlled with Handles



Submitted Model No.: _____

Specific Features: _____



❖ For Lever Handles Use 10"-16" Centers.



COMPLETE VALVE COMPLIES WITH:

- ASME A112.18.1
- CSA B125

Indicates ADA compliance to CABO/ANSI A117.1

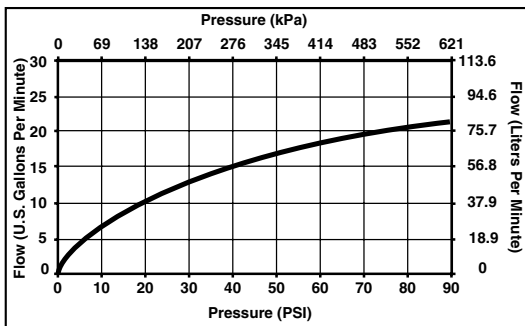
- IAPMO Listed
- CSA Certified

TRIM STANDARD SPECIFICATIONS:

- Trim Only for two handle Roman Tub faucet for concealed mounting.
- Clear knob handles with red/blue indicators or LHP—Less Handle Program. See available handle options on back.
- 7" (178 mm) long, 4 5/8" (117 mm) high slip-on rigid spout.
- Temperature and volume controlled with handles. NOTE: Rough-In kit must also be ordered to complete installation. Refer to rough-in kits and installation aids on back to determine the best kit for your situation. There are separate specification sheets on each rough-in kit if more details are required.

ROUGH-IN KIT STANDARD SPECIFICATIONS:

- Washerless.
- Three hole installation.
- 5/8" O.D. copper supply inlet/outlet tubes—RP18227 and RP18235 outlet tubes are corrugated copper.
- RP18227 and RP18235—Flexible widespread mount.
- RP23601—10" (254 mm) fixed centers.
- Deck or ledge mount installation.
- Solid fabricated brass end valves and spout body.
- Control mechanism shall be of the rotating cylinder type with stainless steel plate and 180° rotation, with replaceable non-metallic seats operating in stainless steel lined sockets.
- Hot and cold stems are interchangeable.
- Temperature and volume controlled with handles.
- All operating parts shall be replaceable from the top.



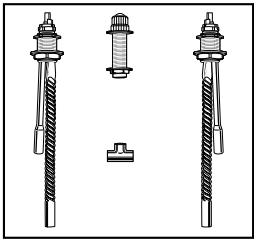
Standard Features—Trim	2731	2731-CBLHP	2731-LHP	2731-PB	2731-PBLHP	2731-WHLHP
7" (178 mm) Long, 4 5/8" (117 mm) High Slip-On Rigid Spout	◆	◆	◆	◆	◆	◆
Stream Straightener	◆	◆	◆	◆	◆	◆
Clear Knob Handles with Red/Blue Indicators (H61/H61PB)	◆			◆		
Less Handle Program—See Handle Kit Options*		◆	◆		◆	◆
2 5/8" (67 mm) Diameter Decorative Handle Bases	◆	◆	◆	◆	◆	◆
Chrome Finish	◆		◆			
Chrome and <i>Brilliance</i> ® Polished Brass Finish		◆				
<i>Brilliance</i> ® Polished Brass Finish				◆	◆	
White Finish						◆

Available Options for Field Conversion:

- NOTE: Standard decorative handle base is 2 5/8" (67 mm) diameter.
- Optional 2 1/2" (64 mm) diameter base with gasket. Cannot be used with RP18235 thick deck rough-in. Order RP18300▲.
- Optional 3" (76 mm) diameter base with gasket. Order RP18543▲.
- Roman Tub hand showers, bath waste assemblies and bath accessories are available separately.

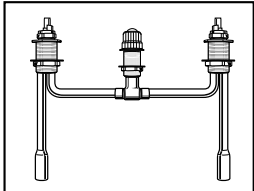
▲ Designate proper finish suffix.

Rough-In Kits and Installation Aids:



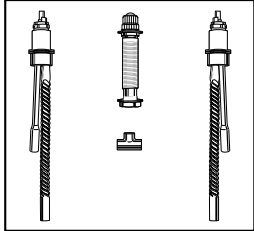
RP18227

- Conventional rough-in—adjusts to 1 1/4" (32 mm) maximum deck thickness. Order RP18227.
- Thick tile mounting aid—adds 1" (25 mm) to RP18227 only. Order RP18504 or RP11099 (bulk).
- Thick deck installation aid for RP18227 only. Rigid plastic template installs on deck prior to mud/tile. Order RP27972 or RP28009 (bulk).
- End valve adjustment wrench (for RP18227 and RP18235 rough-in kits). Order RP16867.
- The Helpful Hand for 4" (102 mm) to 16" (406 mm) centers—aligns widespread handles. Order RP22132.



RP23601

- 10" (254 mm) fixed conventional rough-in adjusts to 1 1/4" (32 mm) maximum deck thickness. Order RP23601.



RP18235

- Thick tile rough-in—mounts to deck prior to mud and tile—adjusts to 3 1/4" (83 mm) maximum deck thickness. **Requires RP16867 wrench to adjust.** Order RP18235.
- End valve adjustment wrench (for RP18227 and RP18235 rough-in kits). Order RP16867.
- The Helpful Hand for 4" (102 mm) to 16" (406 mm) centers—aligns widespread handles. Order RP22132.

***Available LHP Handle Options**

❖ For Lever Handles Use 10"-16" Centers.

<p>H61</p> <p>1 1/2" (38 mm)</p>	<p>H62 A62</p> <p>2 5/8" (67 mm)</p>	<p>H63 A63</p> <p>1 1/8" (29 mm)</p>	<p>H64 A64</p> <p>3 1/4" (83 mm)</p>
<p>H65</p> <p>2 1/2" (64 mm)</p>	<p>H66</p> <p>1 7/8" (48 mm)</p>	<p>H67</p> <p>1 3/8" (35 mm)</p>	

***Available LHP Handle Accent Options**

A62CL	A63ST
A62, A62AB, A62AL, A62PB, A62PR, A62WH	A64CL
A62OK	A64, A64AL, A64PB, A64WH
A63, A63PB, A63WH	



Indianapolis, Indiana 46280
A Division of Masco Corporation of Indiana
© 2003 Masco Corporation of Indiana