

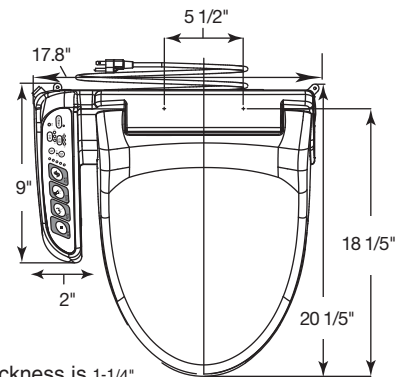
# RESIDENTIAL PLASTIC SEATS



This Personal Cleansing Spa™ shall be No. 1898 as manufactured by Church Seats. Seat housing and control panel shall be heavy weight and injection molded of solid plastic. The seat shall contain an antimicrobial agent. The seat shall be elongated closed front with cover and feature an ergonomically designed seat for maximum comfort. The hinge will incorporate a slow-close feature for easy and quiet return of the ring and cover to normal position. The Personal Cleansing Spa features include female cleansing and family cleansing, along with a water temperature control, a water pressure control, and a stop button. This seat is equipped with an activation device in the seat for safety which prevents the operation of the controls without sitting on the seat. Color to be \_\_\_\_\_.  
(specify White or Biscuit/Linen.)

*Purité*™  
**1898**

- ELONGATED SEAT  
CLOSED FRONT WITH COVER
- SOLID PLASTIC
- SLOW CLOSE HINGE



Ring thickness is 1-1/4"  
Ring thickness including the bumper is 1-3/4"  
Height of the seat with cover is - Front 2-3/4", Rear 6-1/2"

